

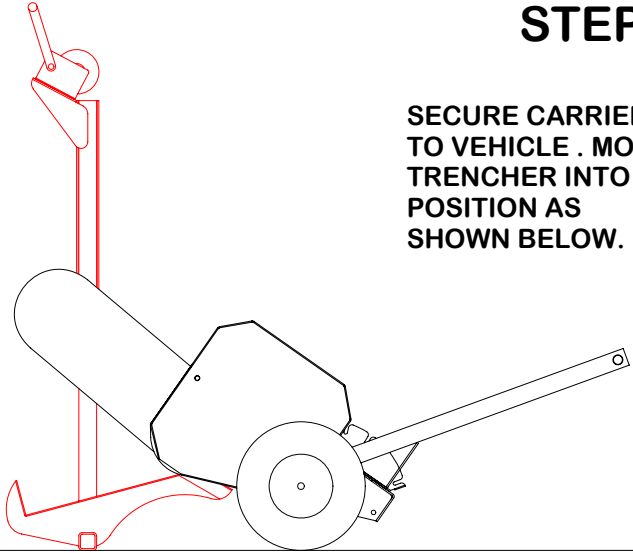


Ground Hog Inc.

INSTRUCTIONS FOR LOADING TRENCHER ONTO CARRIER

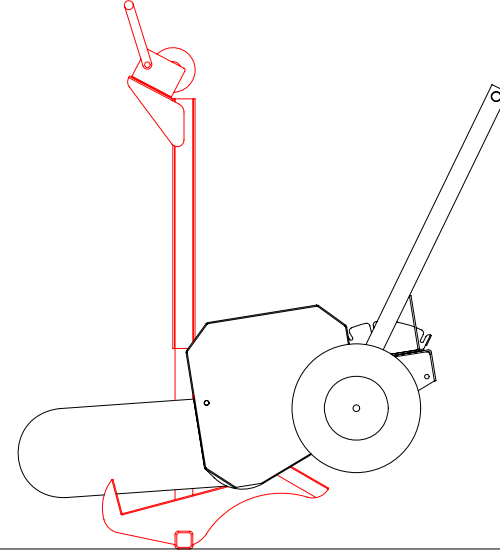
STEP 1

SECURE CARRIER TO VEHICLE. MOVE TRENCHER INTO POSITION AS SHOWN BELOW.



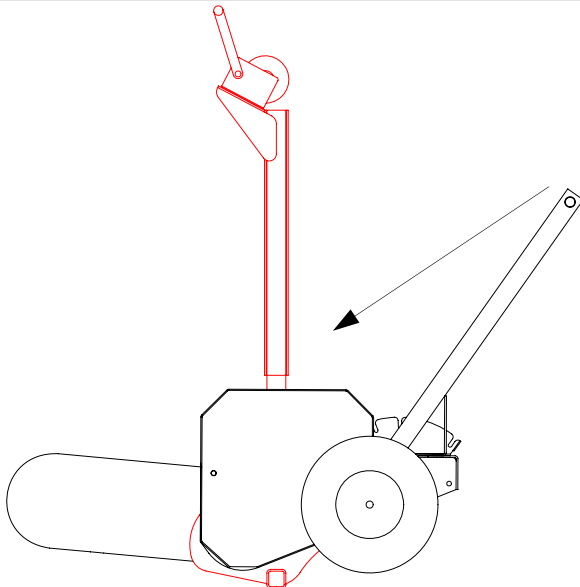
STEP 2

LIFT UP ON HANDLE BAR UNTIL TRENCHER AXLE CLEARS CARRIER.



STEP 3

SLIDE TRENCHER DOWN RAMP UNTIL IT STOPS. RELEASE HANDLE BAR.



STEP 4

RAISE THE TRENCHER USING THE WINCH. INSERT THE SECURING PIN ALL THE WAY THROUGH THE HOLE AND SECURE THE PIN.

